



All Recreation of Virginia, Inc.
 20609 Gordon Park Square
 Suite 190
 Ashburn, VA 20147
Cell Phone: 703-994-9565
Main Office: 888-419-0001
Fax: 703-589-1493

PROPOSAL

Quote # ARVQ23430

Date 06/26/19

Sales Rep. Eric White

Customer's PO No:

Shipping Method: Common Carrier

Terms

50% deposit with the order, the balance is due upon completion.

Bill To:

Meriwether Lewis Elementary
 c/o Albemarle County Public Schools
 Department of Building Services
 2751 Hydraulic Road
 Charlottesville VA 22901
 Attn: Jeff Rohm
 Phone: 434-975-9340 Ext.
 Fax: 434-975-9341
 Email: jrohm@k12albemarle.org

Ship To:

Meriwether Lewis Elementary
 c/o All Recreation

Attn:
 Phone: Ext.
 Fax:
 Email:

Qty	Item No.	Description	Unit Price	Ext. Price
1	Superior SD202008IG-AF	Hip Shade - 20x20x8, Embedded, w/ Glide, Alnet F/R Fabric	\$3,682.00	\$3,682.00
1	Superior Custom Shade Design	Multi-Dome Hanging Cantilever Shade: 30' Length x 12' Width x 8' Entry Height. (2) Domes; Each Dome - 15' Length x 12' Width x 8' Entry Height. (3) Columns on Base Plates at 6"x6"x1/4". Beams at 5"x5"x1/4". Rafters at Ø2.5" 12- Ga With Glide Elbows.	\$5,598.00	\$5,598.00
1	Installation	To install above listed item(s).	\$12,885.00	\$12,885.00

COLORS

Posts:
Fabrics:

By signing this proposal, you are acknowledging the colors are correct.



All Recreation of Virginia, Inc.
 20609 Gordon Park Square
 Suite 190
 Ashburn, VA 20147
Cell Phone: 703-994-9565
Main Office: 888-419-0001
Fax: 703-589-1493

PROPOSAL

Quote # ARVQ23430

Date 06/26/19

Sales Rep. Eric White

Customer's PO No:

Shipping Method: Common Carrier

Terms

50% deposit with the order, the balance is due upon completion.

Bill To:

Meriwether Lewis Elementary
 c/o Albemarle County Public Schools
 Department of Building Services
 2751 Hydraulic Road
 Charlottesville VA 22901
 Attn: Jeff Rohm
 Phone: 434-975-9340 Ext.
 Fax: 434-975-9341
 Email: jrohm@k12albemarle.org

Ship To:

Meriwether Lewis Elementary
 c/o All Recreation
 Attn:
 Phone: Ext.
 Fax:
 Email:

SubTotal	\$22,165.00
Freight	\$398.00
Total	\$22,563.00

WE PROPOSE hereby to furnish complete in accordance with the above specifications. Accounts over 10 days old are subject to 1-1/2% monthly charge. NOTE: This proposal may be withdrawn by All Recreation of Virginia, Inc. if not accepted with ten (10) days. Customer is responsible to locate and mark all private utilities. All Recreation of Virginia, Inc. and it's installers will not be held responsible for any damage to any private utilities damaged in the installation process which were not located and marked by the customer.

 Authorized All Recreation of VA, Inc. Signature

 Printed Name of Authorized All Recreation of VA

ACCEPTANCE OF PROPOSAL: The above prices, specifications and conditions are satisfactory and are hereby accepted:

 Authorized Customer Signature

 Printed Name of Authorized Customer

 Date

 Tax Exempt Number

This proposal includes all applicable Virginia State Tax.

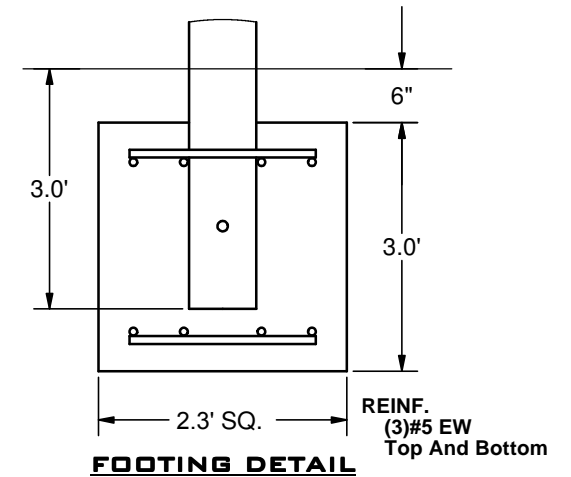
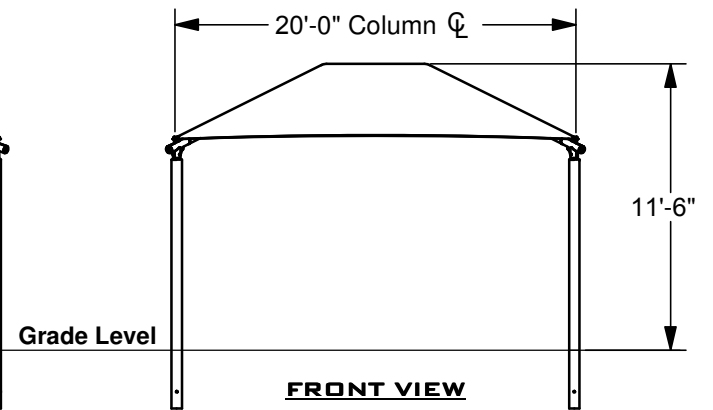
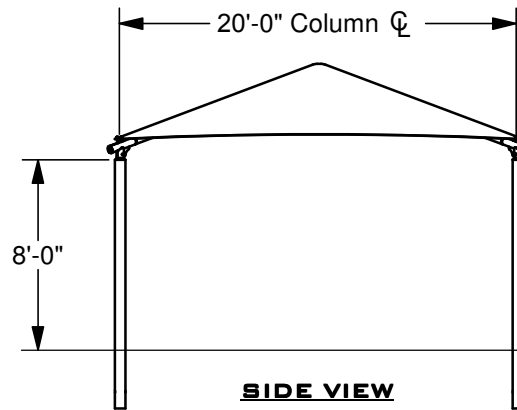
Make checks payable to All Recreation of Virginia, Inc. Please put proposal/invoice number(s) on check.

SQUARE HIP SHADE

20' x 20' x 8'

MODEL #:
SD202081G (With Glide Elbows)
SD202008IN (Without Glide Elbows)

REF.#	PART DESCRIPTION	QTY.
1	Ø5.0" Capped Embedded Column	4
2	Angled Elbow	4
3	Ø2.88" Hip Rafter w/ Swaged End	4
4	Ø2.88" Ridge Pole w/ Swaged Ends	1
5	Square "Y" Connection	2
6	Fabric Cover w/ Cable Insert	1
7	Frame Hardware Kit	1



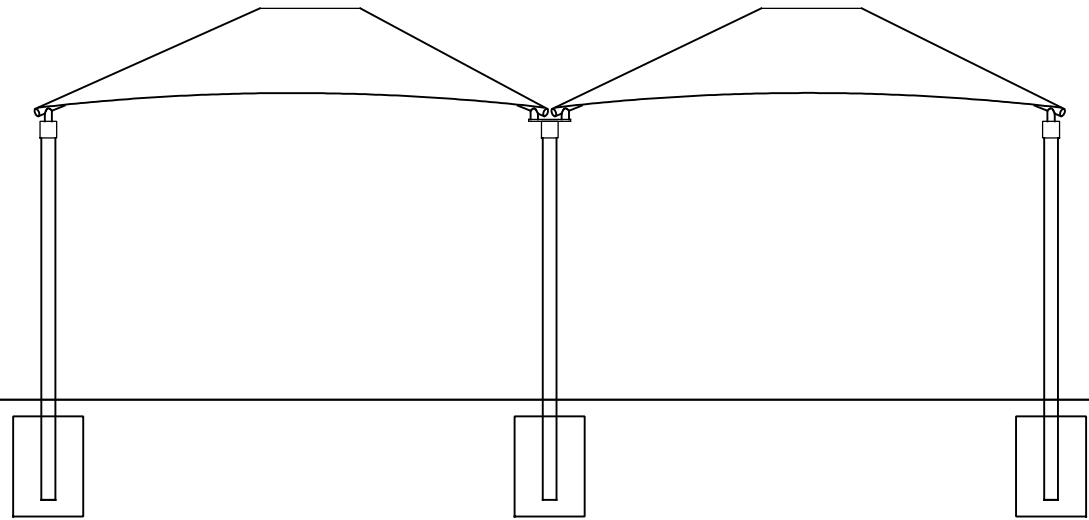
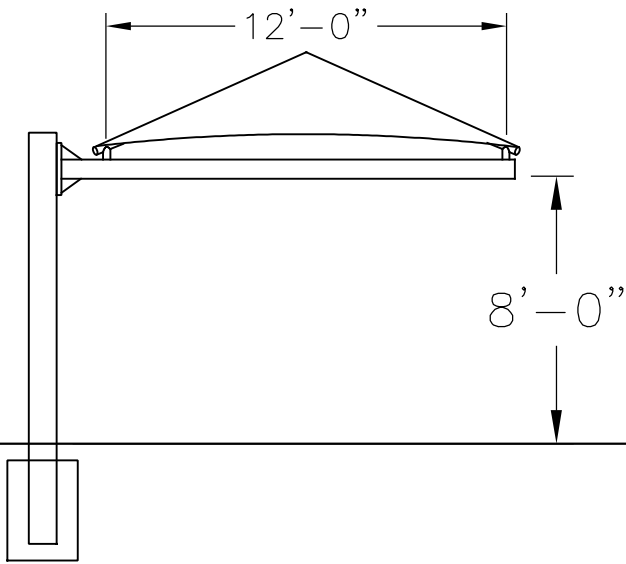
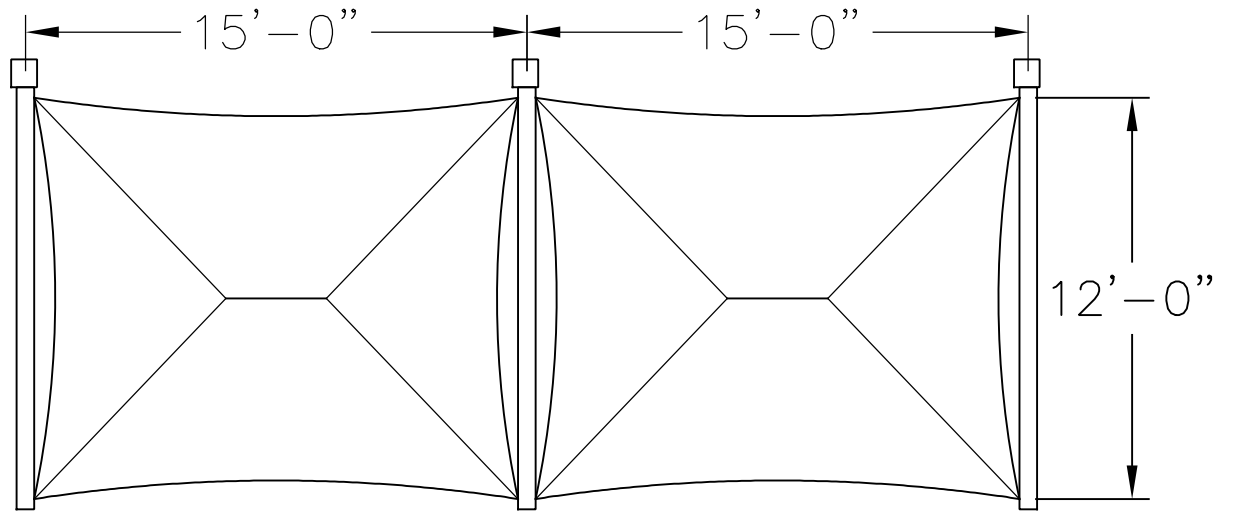
*Footing design based on 1500 PSF soil bearing pressure.



SUPERIOR
RECREATIONAL PRODUCTS

1050 Columbia Drive
Carrollton, Georgia
1.888.829.8997 | 770.834.2764 (f)

These drawings are for reference only and should not be used as construction details. Materials, fasteners, and foundations are subject to change if professionally sealed engineering drawings are required. Designed for 93 MPH Basic Wind Speed.



ESTIMATED FOOTINGS: 3.4' X 3.4' X 3'

SHADE
BY SUPERIOR RECREATIONAL PRODUCTS

PROJECT NAME
MERIWEATHER ELEM SCHOOL

QUOTE
QUO0166997

TITLE
Proposal

DATE
12/11/2018

SCALE
Not to Scale

DRAWN BY
MJW

SHEET
1 of 1

These drawings are for reference only and should not be used as construction details. They show the general character and rough dimensions of the structural features. Exact spans, fasteners, materials, and foundations can be determined by a licensed professional engineer upon request.

