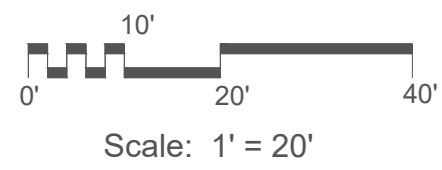


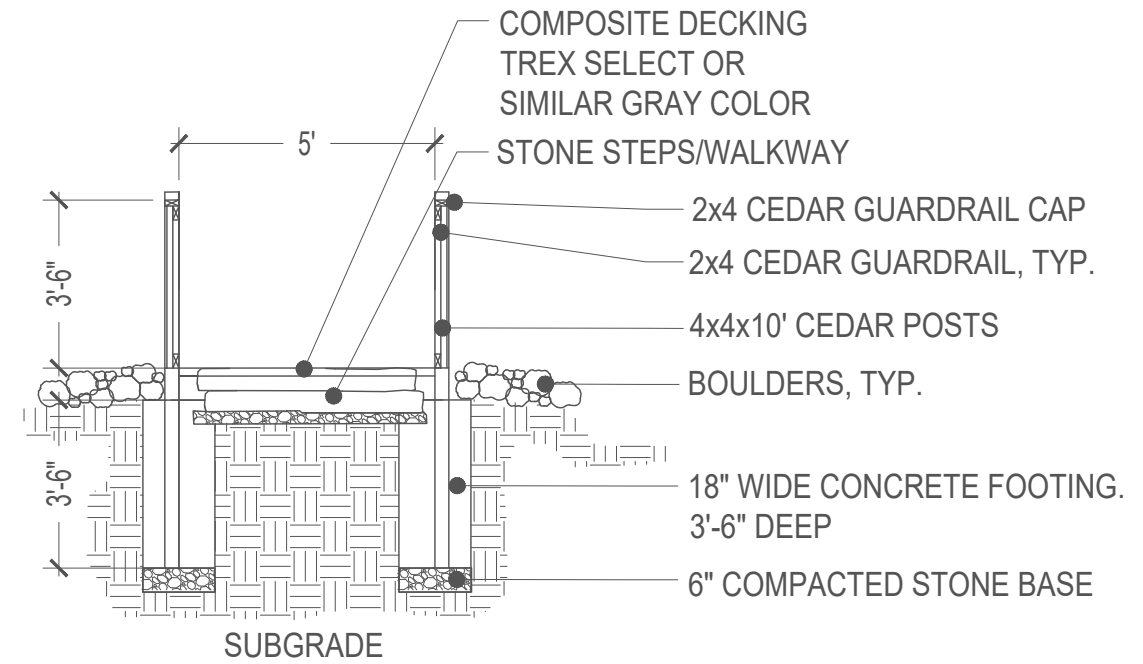
Stone Robinson Elementary
Charlottesville, Virginia

MAY 11, 2019

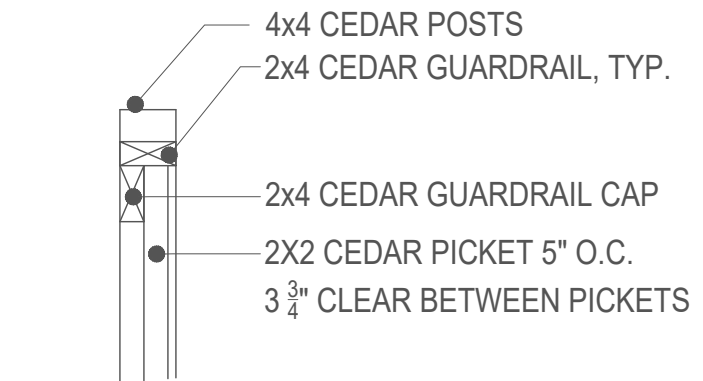
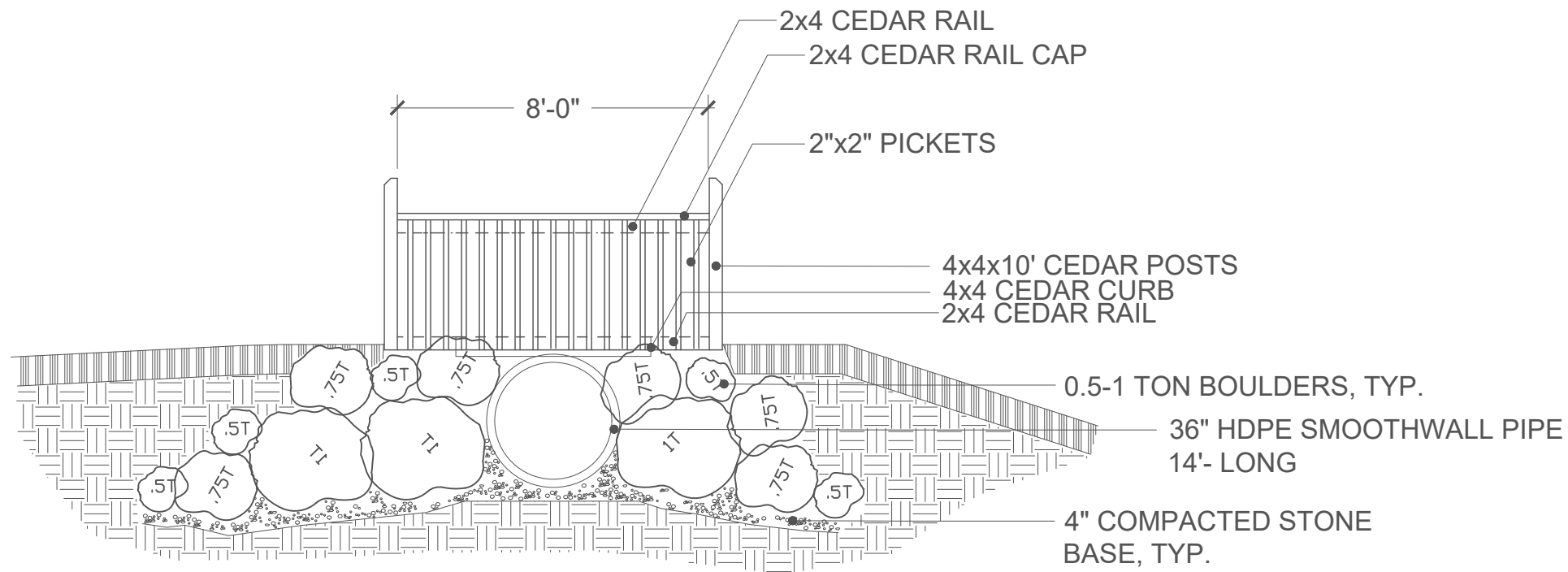
Overall Site Plan



L1



2 Play Tunnel Section
Scale: 1/4" = 1'-0"

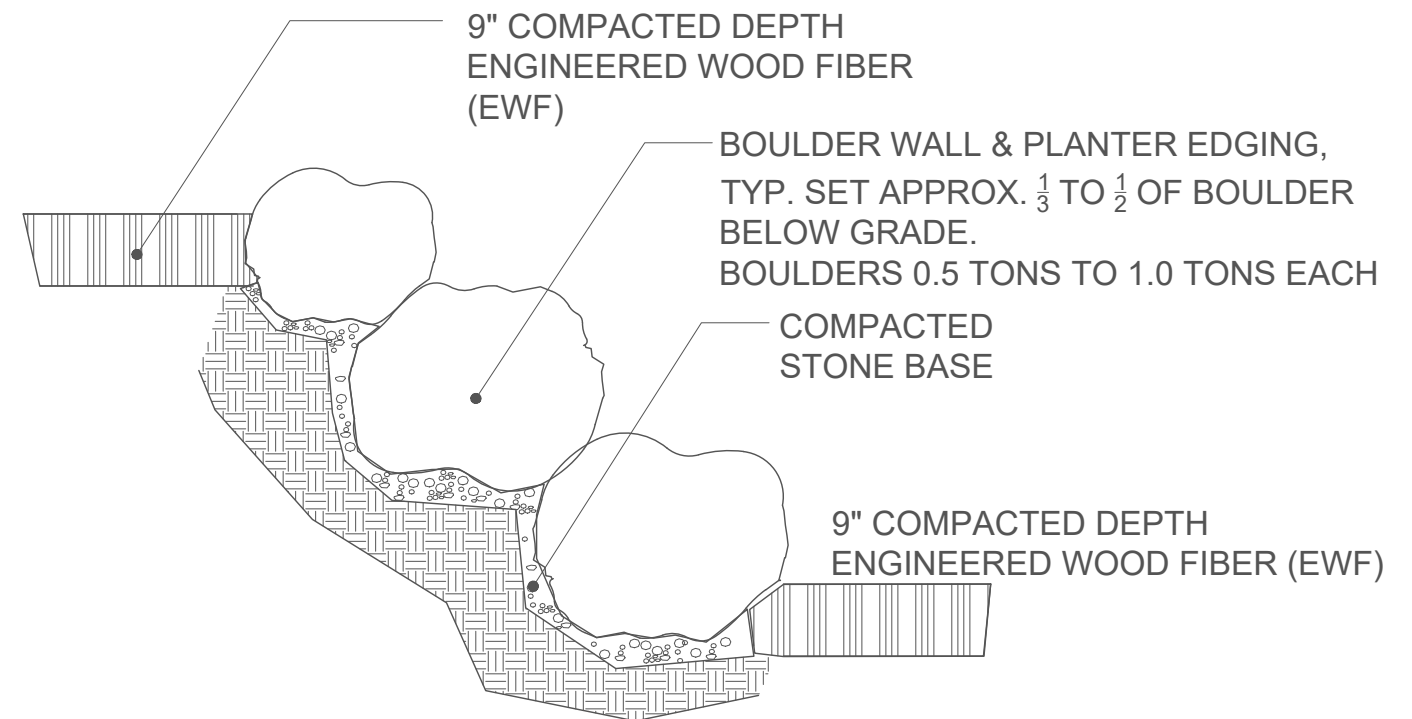


3 Guardrail Detail
Scale: 1/2" = 1'-0"

1 Play Tunnel Elevation
Scale: 1/4" = 1'-0"

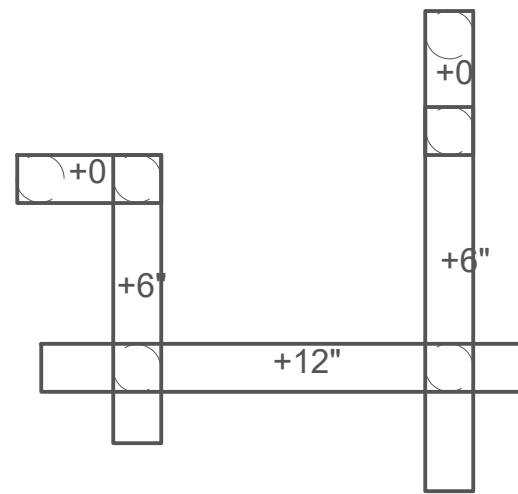


Boulders shall be:
 Palletized landscape boulders
 Round - free of sharp edges
 0.5-1.5 tons per stone



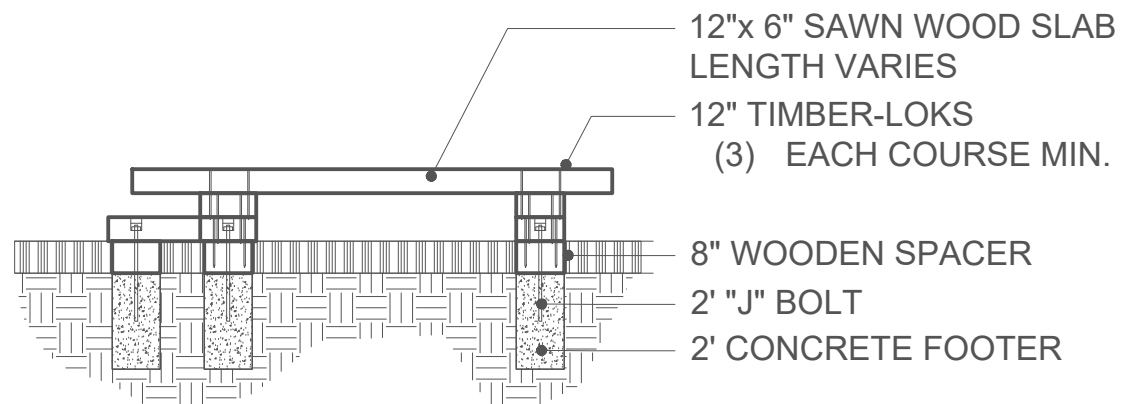
1 Boulder Specification
 Scale: NTS

2 Boulder Placement
 Scale: 1/2" = 1'-0"



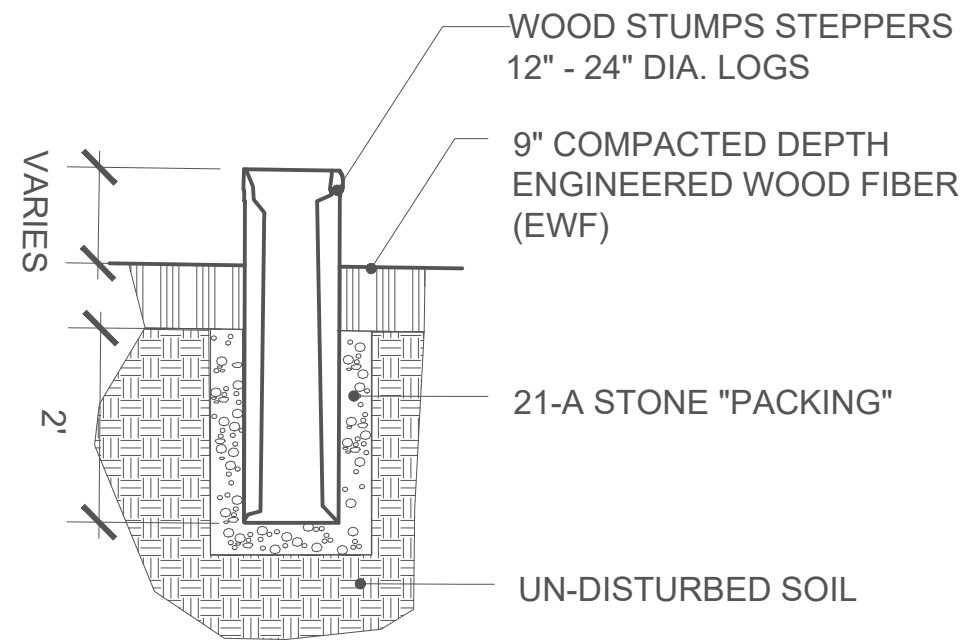
WOOD SHALL BE:
 1. OSAGE ORAGNE
 2. BLACK LOCUST

PTO WILL SOURCE WOOD FOR STUMPS AND LOGS - CONTRACTOR TO HAUL- ASSUME LESS THAN 30 MILES



12"x 6" SAWN WOOD SLAB
 LENGTH VARIES
 12" TIMBER-LOKS
 (3) EACH COURSE MIN.
 8" WOODEN SPACER
 2" "J" BOLT
 2' CONCRETE FOOTER

1 Balance Beam
 Scale: 1/4" = 1'-0"



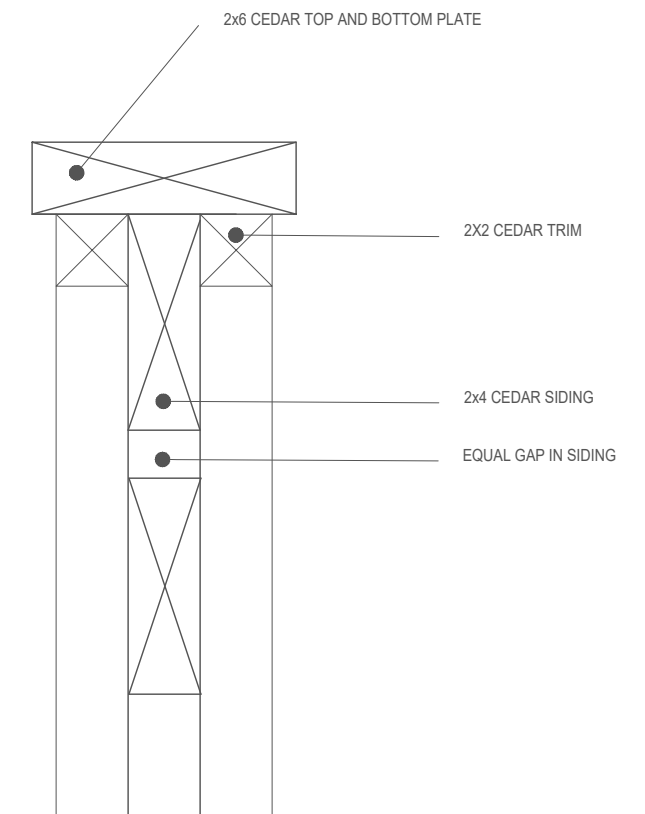
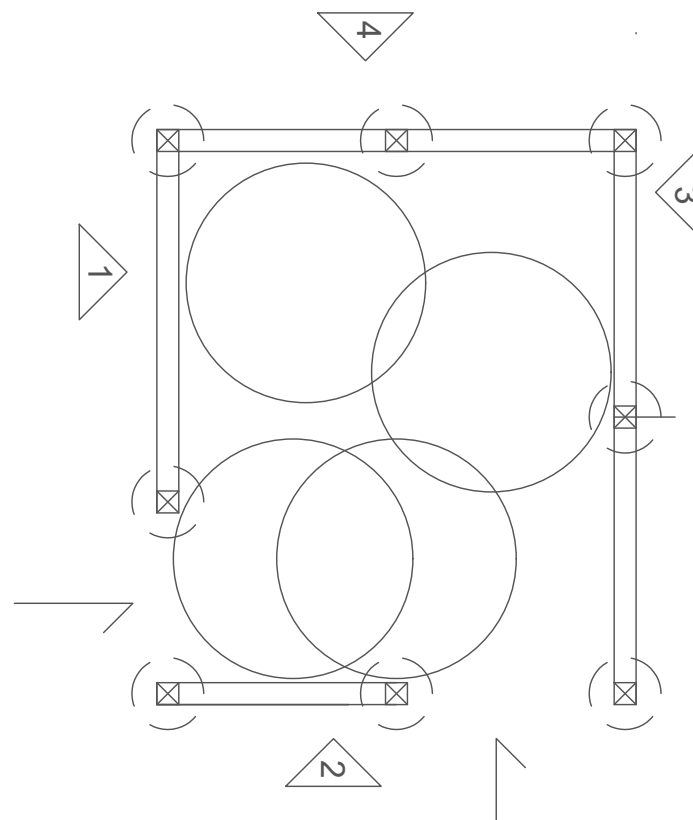
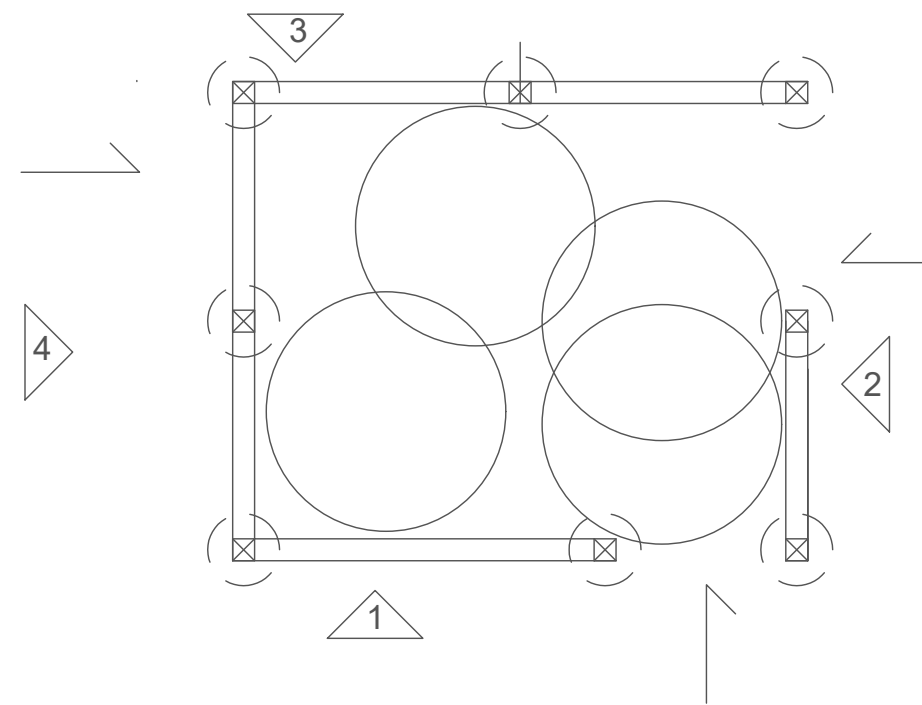
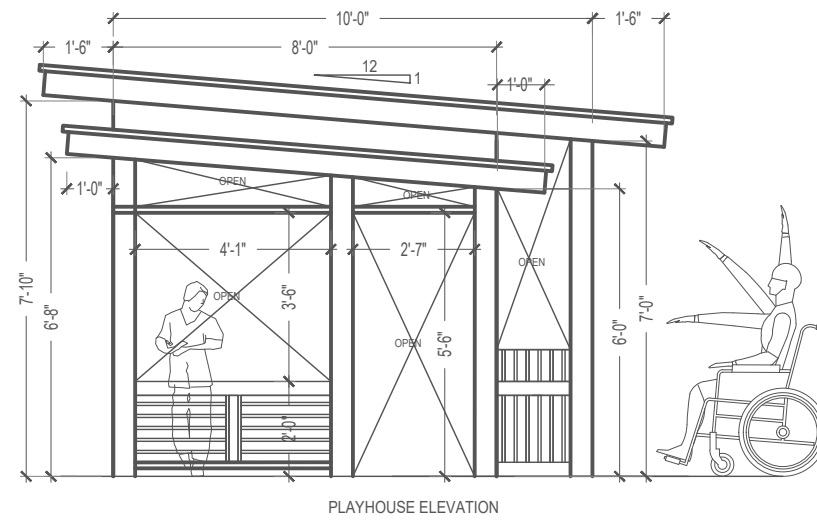
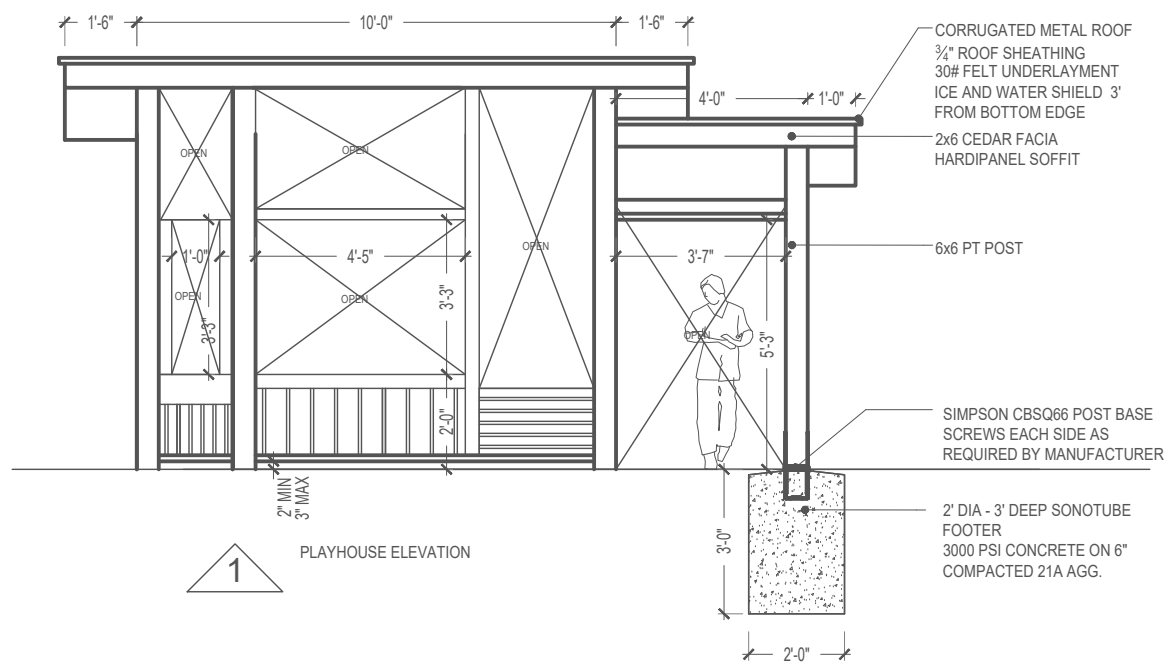
WOOD SHALL BE:
 1. OSAGE ORAGNE
 2. BLACK LOCUST

PTO WILL SOURCE WOOD FOR STUMPS AND LOGS - CONTRACTOR TO HAUL- ASSUME LESS THAN 30 MILES

LOG LENGTHS:

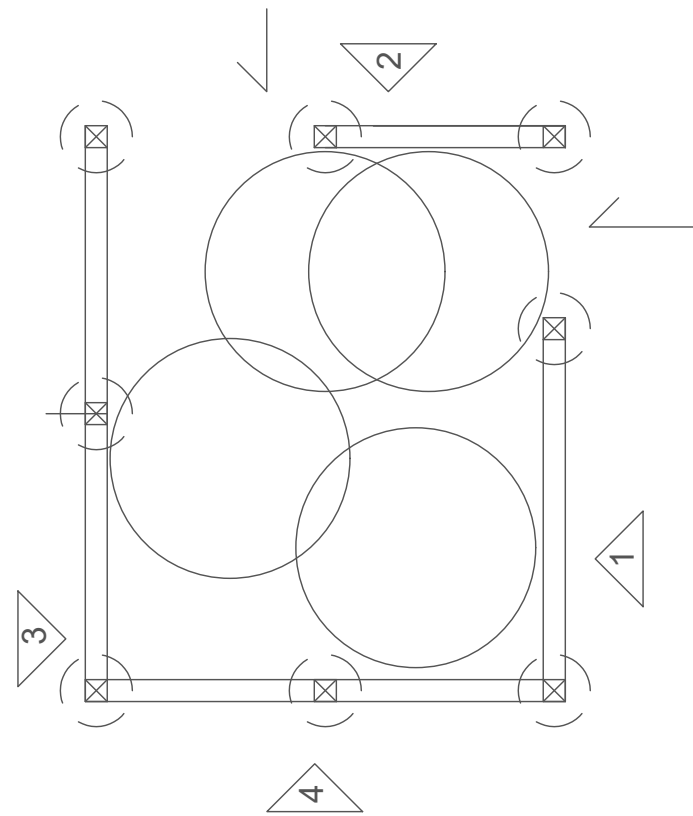
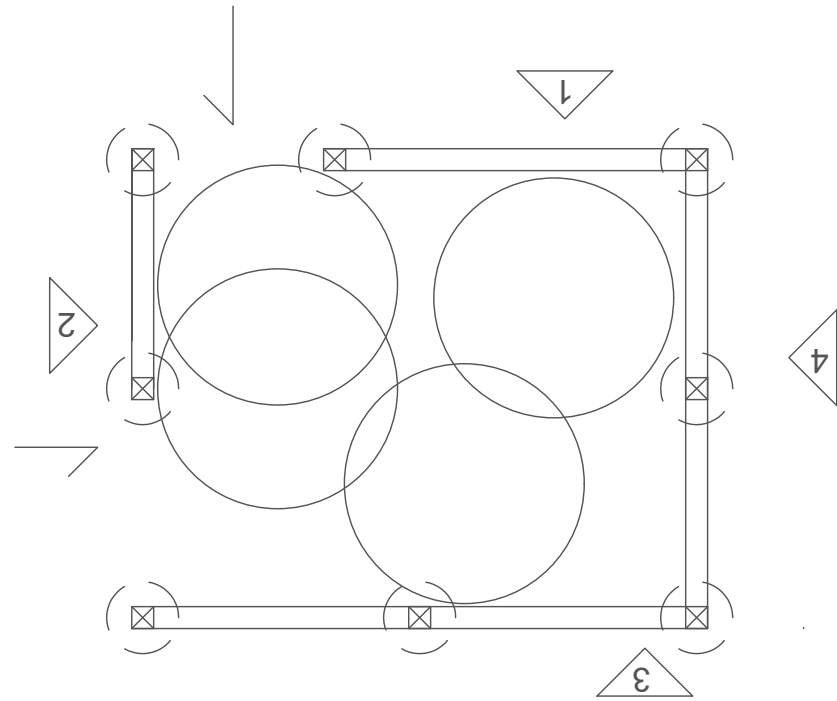
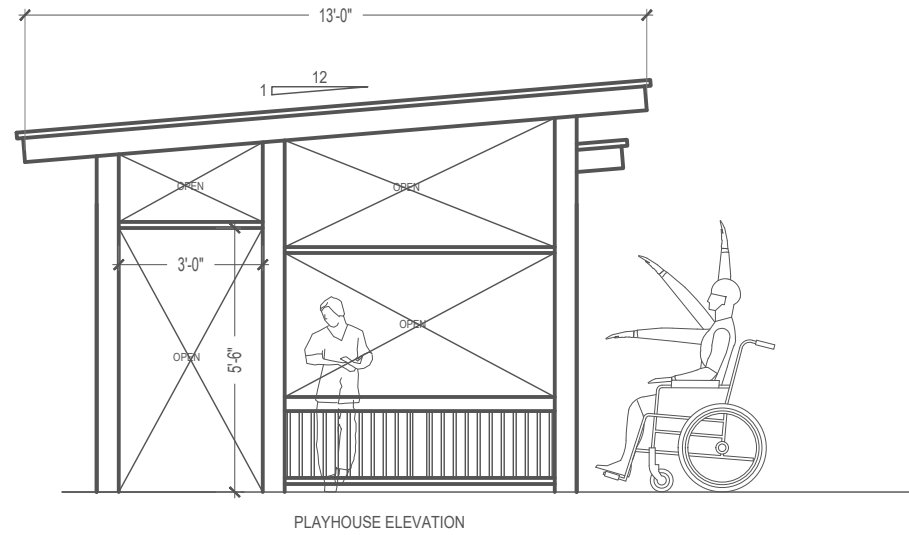
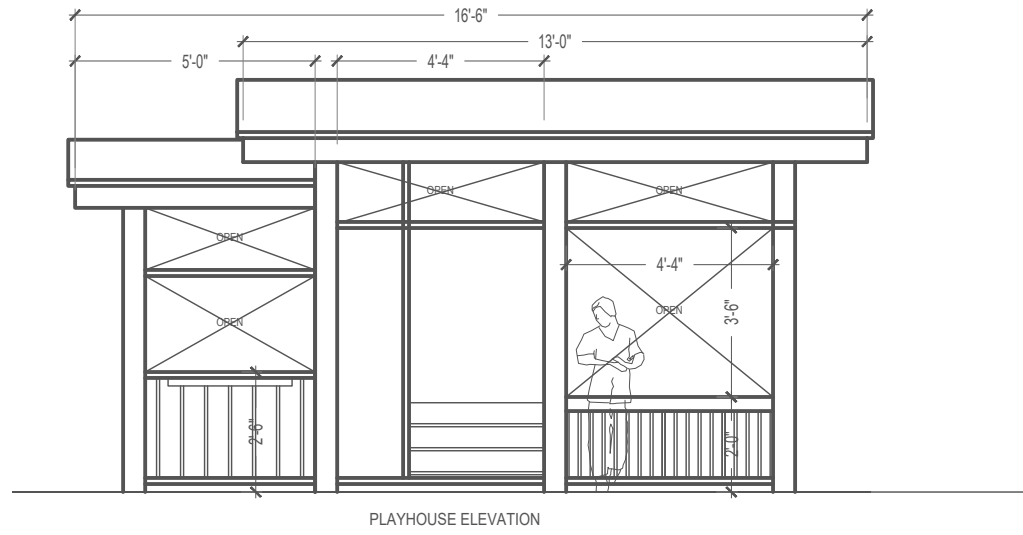
EXPOSED	TOTAL LOG LENGTH
6" EXPOSED =	3'-3"
9" EXPOSED =	3'-6"
12" EXPOSED =	3'-9"
15" EXPOSED =	4'-0"
18" EXPOSED =	4'-3"

2 Stump Steppers
 Scale: 1/2" = 1'-0"



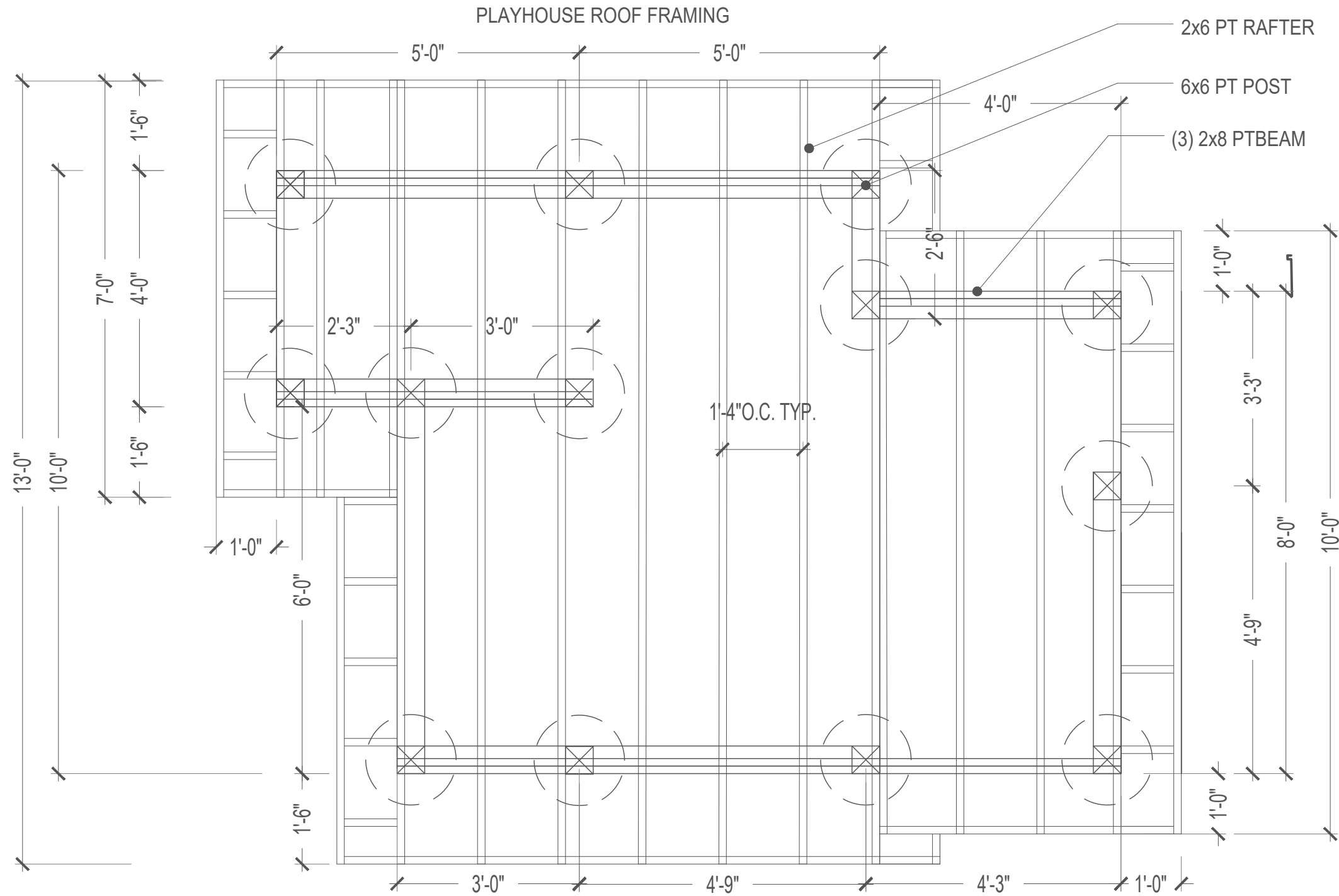
1 Playhouse
 Scale: 1/4" = 1'-0"

2 Playhouse Wall Section
 Scale: 3" = 1'-0"



1 Playhouse
Scale: 1/4" = 1'-0"

NOTE:
HURRICANE CLIPS ON ALL RAFTERS



1 Playhouse Roof Framing
Scale: 1/2" = 1'-0"